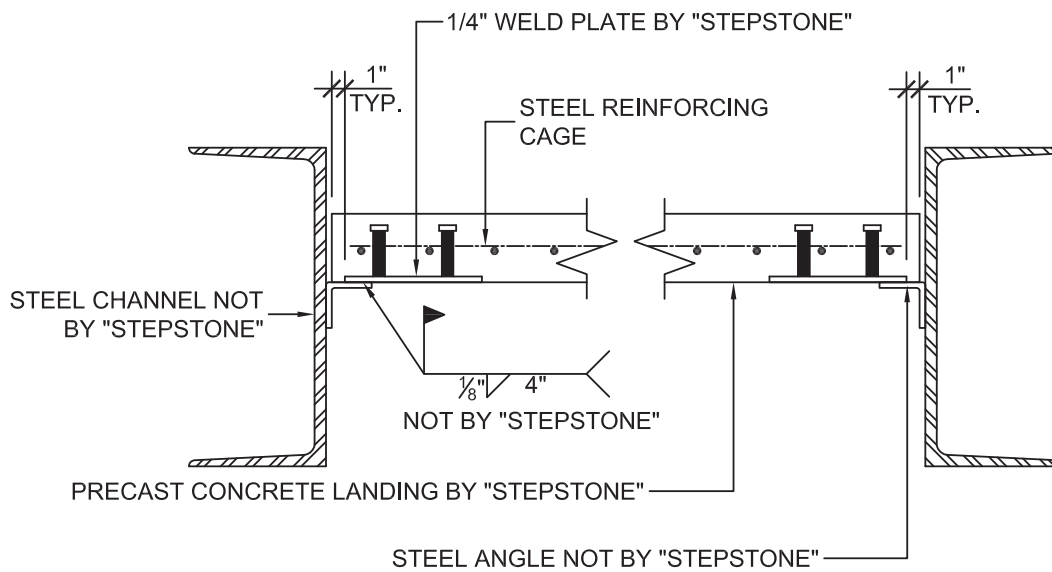


FILE: STP-5.1-07
REV: 06.02.11



**STRAIGHT LANDING -
BETWEEN STEEL, WELDED**

SCALE: N.T.S.
FILE: STP-5.1-07

PRECAST CONCRETE TREADS AND LANDINGS SHOWN ON PLANS SHALL BE FROM THE LONG SPAN "STEPTREAD" SYSTEM BY "STEPSTONE, INC." OF GARDENA, CA FOR STEEL CONSTRUCTION. THE MANUFACTURER IS TO SUPPLY ALL PRECAST CONCRETE "STEPTREAD" SYSTEM PARTS, FEATURING BOTTOM WELD PLATES FOR WELD-ON CONNECTIONS. ALL REINFORCING AND CONNECTION PLATES WILL BE ZINC PLATED. ONLY ITEMS NOTED AS BY "STEPSTONE, INC." WILL BE FURNISHED BY "STEPSTONE, INC." SUCH ITEMS ARE TO BE INSTALLED BY OTHERS.